

SPLIT CORE - CURRENT TRANSFORMERS

IAP - IAM - IAG



IAG



IAM



IAP

Split core current Transformer

Application

Split core current transformers convert an alternating current of high value into a proportional, lower one, which is appropriate to be measured by standard instruments (ammeters, wattmeters, varmeters, power factor meters, relays, measuring transducers...) of rated currents 5 or 1 A. Their split core allows their installation in already existing networks without need to cut the conductors. They are suitable for indoor use in low-voltage networks, and they are built according to IEC and EN 60044-1 standards.

Design features

- The current transformers can be opened
- Cases of self-extinguishing polycarbonate UL 94 - V0
- Double secondary terminals, for short circuiting the secondary winding before opening the measuring circuit
- Mounting brackets for the panel mounting and fixing clamps for the fixing to the primary bus bar are included

Accuracy

Our current transformers fulfil the specifications of the accuracy classes 0.5, 1 and 3, for the rated burden indicated in the table (see next page).

IAP, IAM, IAG Technical Data

Electrical Features (according to IEC-60044-1)

Rated secondary current	5 or 1 A
Frequency range	50 - 60 Hz
Highest voltage for equipment	720 V
Rated insulation level	3kV, 50Hz 1 min.
Rated continuous thermal current	1.2x I _N
Rated short-time thermal current (I _{th})	60x I _N
Rated dynamic current (I _{dyn})	2.5x I _{th}
Thermal class of insulation, according to IEC-6085	E (120°C)

Mechanical Data

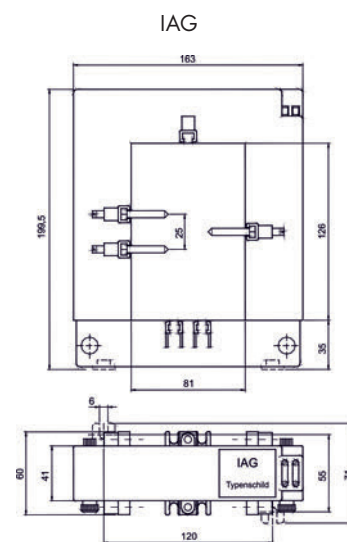
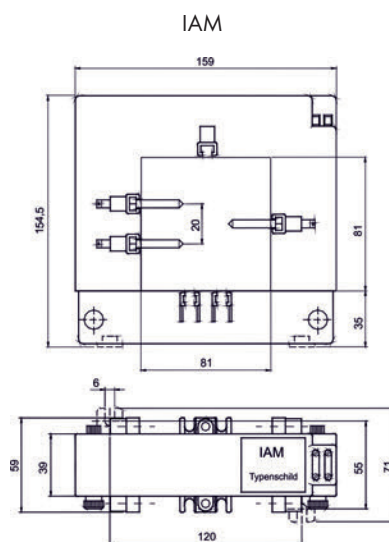
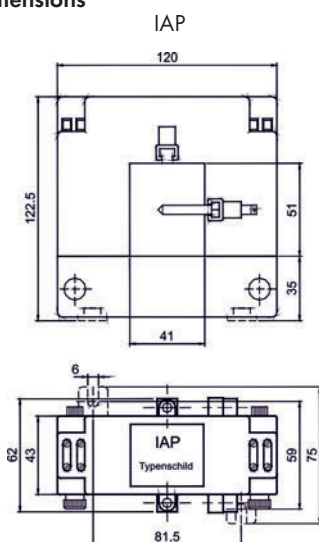
Window:

IAP	busbar 2x 50x10 mm, 3x 40x10 mm or round conductor Ø 40 mm
IAM	busbar 4x 80x10 mm or round conductor Ø 80 mm
IAG	busbar 4x 125x10 mm or round conductor Ø 80 mm

Weight: (depending on primary current)

IAP	1040 g ... 1365 g
IAM	1190 g ... 1640 g
IAG	1640 g ... 2495 g

Dimensions



SPLIT CORE - CURRENT TRANSFORMERS

IAP - IAM - IAG Technical Daten, Executions

Primary rated current A	sec. 1A											
	IAP				IAM				IAG			
	Article Nr. 70097 -	Cl. 0,5 VA	Cl. 1 VA	Cl. 3 VA	Article Nr. 70097 -	Cl. 0,5 VA	Cl. 1 VA	Cl. 3 VA	Article Nr. 70097 -	Cl. 0,5 VA	Cl. 1 VA	Cl. 3 VA
60	- 3064	-	-	1,25	-	-	-	-	-	-	-	-
75	- 3273	-	-	1,25	-	-	-	-	-	-	-	-
100	- 1885	-	1,25*	2,5	- 3280	-	-	1,25	-	-	-	-
125	- 1888	-	1,25*	3,75	- 3281	-	-	2,5	-	-	-	-
150	- 3274	-	2,5*	3,75	- 3282	-	-	3,75	-	-	-	-
200	- 1890	-	3,75*	3,75	- 3283	-	1,25*	3,75	-	-	-	-
250	- 3275	-	3,75*	7,5	- 3284	-	2,5*	3,75	-	-	-	-
300	- 1893	-	5*	10	- 3285	-	3,75*	5	-	-	-	-
400	- 3245	-	7,5	20	- 3286	-	5	10	-	-	-	-
500	- 3139	5	10	30	- 3287	1,25	5	15	- 3297	-	2,5	15
600	- 3276	10	15	30	- 3288	2,5	7,5	20	- 3159	1,25	5	15
750	- 3277	10	20	45	- 3289	7,5	15	30	- 3298	1,25	10	20
800	- 1900	10	30	60	- 3290	10	20	30	- 3299	2,5	10	20
1000	- 3279	10	45	60	- 1872	10	20	45	- 3158	5	15	30
1200	-	-	-	-	- 3291	10	30	60	- 3300	7,5	20	45
1500	-	-	-	-	- 3292	10	45	60	- 3301	10	30	60
1600	-	-	-	-	-	-	-	-	- 3302	15	45	60
2000	-	-	-	-	-	-	-	-	- 1865	15	60	60
2500	-	-	-	-	-	-	-	-	- 3303	20	60	60
3000	-	-	-	-	-	-	-	-	- 1868	20	60	60

Remark: These current transformers meet the demands for the classes 0.5, 1 and 3 in the same instrument. / * only ammeters

IAP - IAM - IAG Technical Daten, Executions

Primary rated current A	sec. 5A											
	IAP				IAM				IAG			
	Article Nr. 70097 -	Cl. 0,5 VA	Cl. 1 VA	Cl. 3 VA	Article Nr. 70097 -	Cl. 0,5 VA	Cl. 1 VA	Cl. 3 VA	Article Nr. 70097 -	Cl. 0,5 VA	Cl. 1 VA	Cl. 3 VA
60	- 1897	-	-	1,25	-	-	-	-	-	-	-	-
75	- 3272	-	-	1,25	-	-	-	-	-	-	-	-
100	- 1886	-	1,25*	2,5	- 1871	-	-	1,25	-	-	-	-
125	- 3444	-	1,25*	3,75	- 3691	-	-	2,5	-	-	-	-
150	- 1889	-	2,5*	3,75	- 1875	-	-	3,75	-	-	-	-
200	- 1891	-	3,75*	3,75	- 1877	-	1,25*	3,75	-	-	-	-
250	- 1892	-	3,75*	7,5	- 1878	-	2,5*	3,75	-	-	-	-
300	- 1894	-	5*	10	- 1879	-	3,75*	5	-	-	-	-
400	- 1895	-	7,5	20	- 1880	-	5	10	-	-	-	-
500	- 1896	5	10	30	- 1881	1,25	5	15	- 3293	-	2,5	15
600	- 1898	10	15	30	- 1882	2,5	7,5	20	- 1870	1,25	5	15
750	- 1899	10	20	45	- 1883	7,5	15	30	- 3294	1,25	10	20
800	- 1901	10	30	60	- 1884	10	20	30	- 3690	2,5	10	20
1000	- 1887	10	45	60	- 1873	10	20	45	- 1863	5	15	30
1200	-	-	-	-	- 1874	10	30	60	- 3295	7,5	20	45
1500	-	-	-	-	- 1876	10	45	60	- 1864	10	30	60
1600	-	-	-	-	-	-	-	-	- 3296	15	45	60
2000	-	-	-	-	-	-	-	-	- 1866	15	60	60
2500	-	-	-	-	-	-	-	-	- 1867	20	60	60
3000	-	-	-	-	-	-	-	-	- 1869	20	60	60

Remark: These current transformers meet the demands for the classes 0.5, 1 and 3 in the same instrument. / * only ammeters