

## ⑩ Accessories



## Accessories for voltage taps

Voltage taps for busbars	page 10/1
Voltage taps for round conductors	page 10/2

## Accessories for analogue instruments

Snap-in covers	page 10/5
Blind cover with glass	page 10/5
Mounting screws/ clips	page 10/5
Rubber gaskets	page 10/5
Protection covers IP65	page 10/6
Terminal covers	page 10/6
Rubber grommets	page 10/6
Mounting frames	page 10/6

## Accessories for current transformers

Snap on mounting (DIN rail)	page 10/7
Mounting feet	page 10/7
Copper tubes	page 10/7

## Accessories for switchboards

Power sockets	page 10/8
Pin-type insulators for indoor use	page 10/8
Connection diagram pocket	page 10/8

# ACCESSORIES

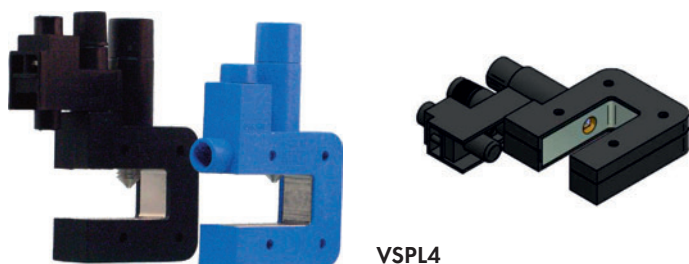
Accessories for:

- voltage taps for busbars and round conductors
- analogue instruments
- current transformers
- switchboards



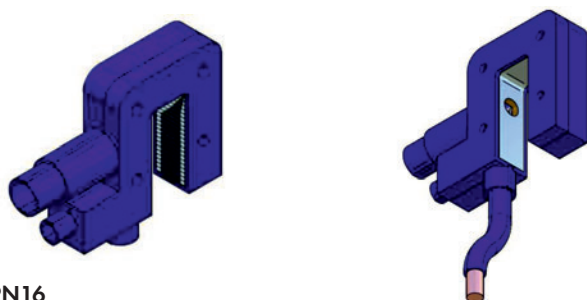
# ACCESSORIES FOR VOLTAGE TAPS

## VSP - Voltage taps for busbars



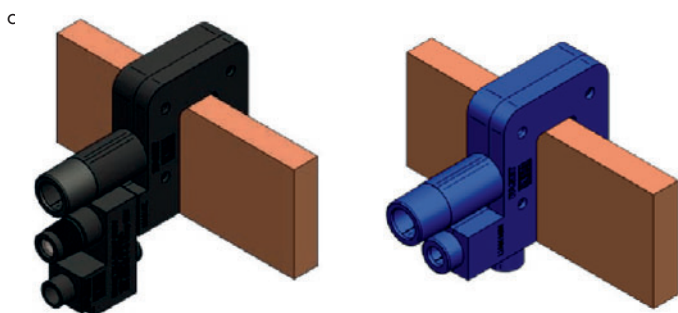
**VSPL4**

Terminal voltage tap for bus bar with integrated fuse



**VSPN16**

Terminal voltage tap for bus bar without fuse



**VSPL4**

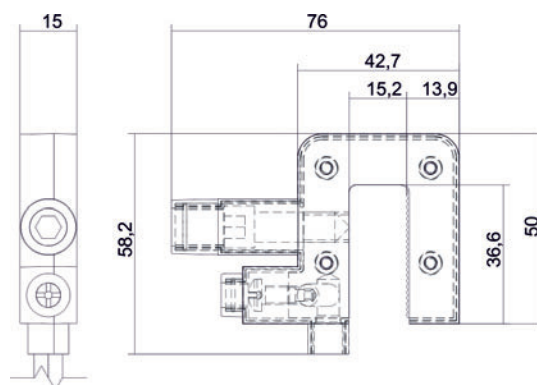
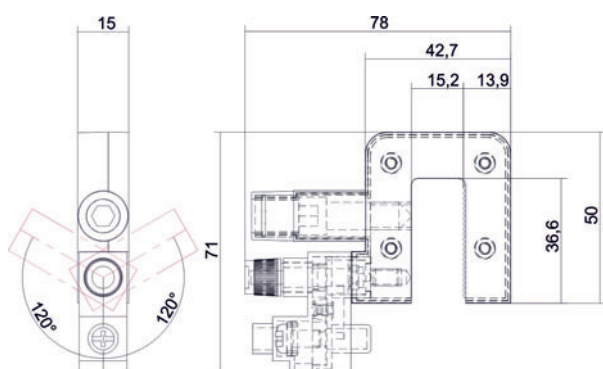
The VSP of insulated busbar terminals let you connect your instruments to live busbars. A fuse holder is an integrated part of this terminal, proving you with protection at the source. The terminal can be installed directly onto the busbar using an insulated Allen key driver. This makes the installation of this unique product a one handed exercise. The fuse holder is mounted directly on the metal that makes contact with the busbar, thereby providing a secure connection with a high short circuit rating. For connection to the Neutral bar, the model VSP provides an unfused connection.

### VSP.. General Features

General	
Maximum voltage	690 V
Test voltage / spike	3 kV/50 Hz / 6 kV
Max. current	10 A
Isolation class	E (max 120 °C)
Fuse type	5x25 mm (with indicator) 10 A SIBA DIN 41576-2
Short circuit rating	70 kA @ 400 V/50 Hz
IP rating	IP20
Ambient temperature	-5...+40 °C <sup>1)</sup>
Temperature rise busbar	Max. 75 K <sup>1)</sup>
Busbar connection	Via Allen key bolt M8
Allen key size	Number 6
Busbar thickness	Max. 15 mm / min. 4 mm
Housing	Polyamide (PA6.6)
Material terminal	Nickel plated brass

<sup>1)</sup>Max. temperature of the busbar: 120°  
(Sum of the busbar temperature rise and the ambient temperature)

**VSPN16**



### VSP... Executions

Article No.	Type	Description	Colour	Connection
70006 - 1038	<b>VSPL4</b>	Fused phase terminal	black	1,5-4mm <sup>2</sup>
70006 - 1059	<b>VSPL16</b>	Phase terminal	black	0-16mm <sup>2</sup>
70006 - 1039	<b>VSPN16</b>	Neutral terminal	blue	0-16mm <sup>2</sup>
70006 - 1040		Set with 3 x VSPL4 and 1 x VSPN16		

# ACCESSORIES FOR VOLTAGE TAPS

## VSR6 - Voltage for round conductors



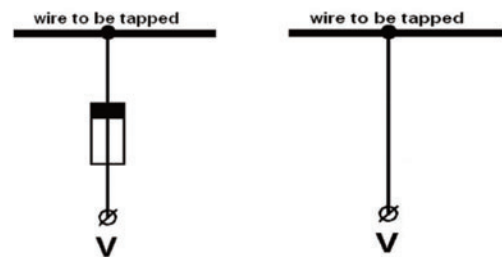
- One-handed and safe tapping of voltage for measurement purposes
- No tools needed
- Safe mounting
- Including 5x25mm, 2A fuse
- For insulated 2.5-6 mm<sup>2</sup> conductors, stranded and solid (rigid) and flexible wire

In existing installations there is rarely a fused terminal available for measurement purposes. This unique tapping clamp allows you to tap a fused voltage from an insulated wire for measurement using one hand and without the need for additional tools. The fuse is mounted directly on the primary conductor, which results in an optimum degree of safety. This unique product is a breakthrough for fast and safe measurement in existing installations. The VSR..n is available in a fused and non used version.

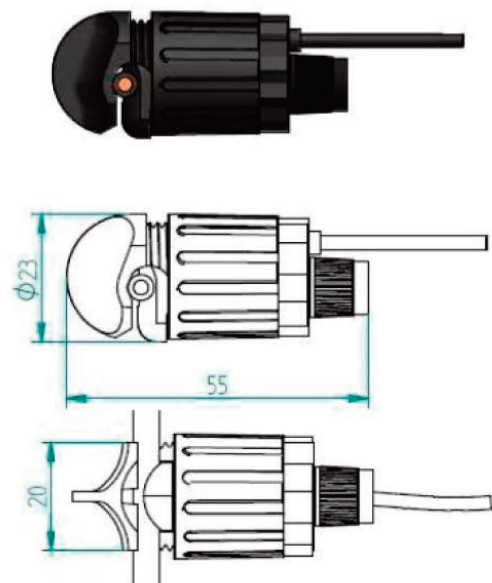
### VSR6.. General Features

Safety conditions	
CE directive Standard	Low voltage directive 2006/96/EC IEC 60998 (clamp), IEC 60947 (fuse)
Environmental conditions	
Standard	IEC 60721-3-3: 1996
Class	3K3
Operating temperature	+5°C ...+55°C
Relative humidity	5%..85%, non condensing
Operation height	0.. 200m over Nm
Protection degree	IP20, basic insulation
Pollution degree	2
Measurement degree	CAT III
Application conditions (suitable for Conductors with basic insulation)	
Insulation material	PVC or XLPE
Wire diameter	3 - 5mm ( 2,5 - 6mm <sup>2</sup> )
VSR6 - R	Rigid wire (solid, stranded)
VSR6 - F	Flexible wire
U <sub>max</sub>	400V AC
Test Voltage	
I <sub>max</sub>	2 A
Voltage drop	< 500m V AC
Fuse (VSRL6-R)	2A, 450V, F, 70kA, 5x25mm, Ceramic (SIBA Part.no. 7008913.2 )
Sec. lead	1mm <sup>2</sup> flexible, 50cm, end-sleeve
Use	Multiple use, max. 24 times
Torque	1.5 - 2.0 Nm
Storage	
Temperature	-20°C ...+70°C
Relative humidity	5% ...85%, non condensing
Weight	28gr.
Dimensions	diameter 23mm, height 59mm
Material	PA 6.6, UL94 V2

### Wiring diagrams:



### Dimensions:



### VSR6... Executions

Article No.	Type	Cable dimension
70006 - 1060	<b>VSRL6-R</b>	fused, for 2.5-6mm <sup>2</sup> rigid (solid, stranded) wire
70006 - 1061	<b>VSRL6-R</b>	Phase terminal, for 2.5-6mm <sup>2</sup> rigid (solid, stranded) wire
70006 - 1062		Set with 3 x VSRN6-R and 1 x VSRL6-R

# ACCESSORIES FOR VOLTAGE TAPS

## VSR16 - Voltage taps for round conductors



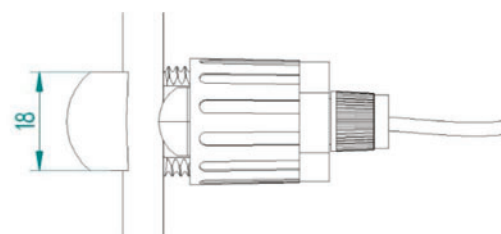
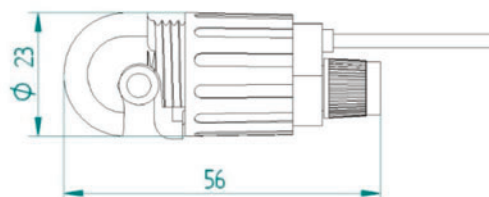
- One-handed and safe tapping of voltage for measurement purposes
- No tools needed
- Safe mounting
- Including 5x25mm, 2A fuse
- For insulated 10-16 mm<sup>2</sup> conductors, stranded and solid

In existing installations there is rarely a fused terminal available for measurement purposes. This unique tapping clamp allows you to tap a fused voltage from an insulated wire for measurement using one hand and without the need for additional tools. The fuse is mounted directly on the primary conductor, which results in an optimum degree of safety. This unique product is a breakthrough for fast and safe measurement in existing installations

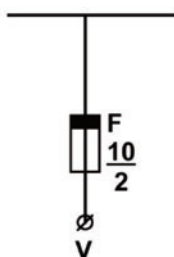
### VSR16.. General Features

Maximum voltage	400 V
Test voltage (casing-ground)	3 kV/50 Hz
Impulse (casing-conductor)	6 kV 1,2/50µs
Max. rated current	2 A
Voltage drop	< 500m V AC
Fuse type phase terminal	5x25 mm (with indicator) max. 2 A SIBA DIN 41576-2
Short circuit current	6 kA @ 400 V/50 Hz
Protection degree	IP20
Ambient temperature	-5...+40°C
Suitable for	PVC and XLPE, stranded and solid conductors
Torque	1,5 Nm multiple use 2,0 Nm single use

### Dimensions:



### Schaltbild:



### VSR16... Executions

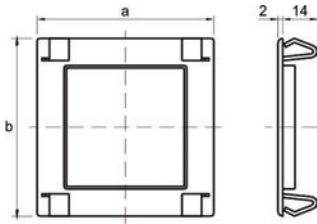
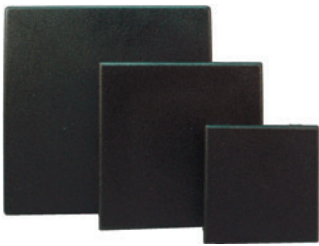
Article No.	Type	Kabeldurchmesser
70006 - 1041	<b>VSRL16</b>	6-16mm <sup>2</sup> Fused phase terminal
70006 - 1042	<b>VSRN16</b>	6-16mm <sup>2</sup> unfused neutral terminal
70006 - 1043	Set with 3 x VSRN16 and 1 x VSRL16	

## NOTES



# ACCESSORIES FOR ANALOGUE INSTRUMENTS

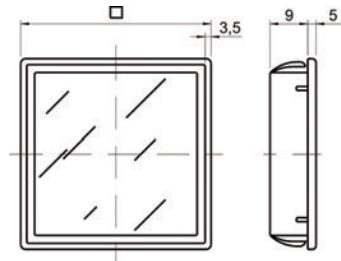
## Snap-in covers



### Available sizes (Dimensions in mm)

Square			Rectangular		
Article No.	Size	Colour	Article No.	Size	Colour
70097 - 1444	48 x 48	black	70004 - 1006	48 x 24	black
70097 - 1445	72 x 72	black	70004 - 1007	72 x 36	black
70097 - 1446	96 x 96	black	70002 - 1007	96 x 24	black
			70053 - 1001	96 x 48	black
			70053 - 1000	144 x 72	black

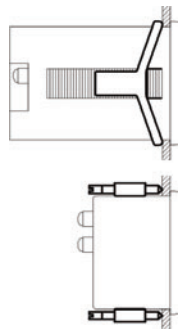
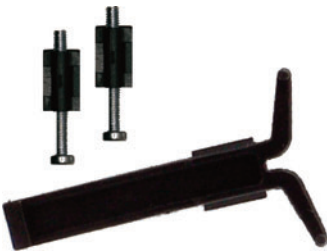
## Blind cover with glass



### Available sizes (Dimensions in mm)

Transparent glass			White glass		
Article No.	Size	Cut - out	Article No.	Size	Cut - out
70097 - 1441	48 x 48	45 x 45	70097 - 1437	48 x 48	45 x 45
70097 - 1442	72 x 72	68 x 68	70097 - 1438	72 x 72	68 x 68
70097 - 1443	96 x 96	92 x 92	70097 - 1439	96 x 96	92 x 92
70097 - 1440	144 x 144	140 x 140	70097 - 1436	144 x 144	140 x 140

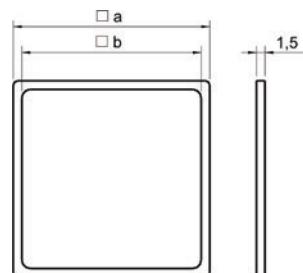
## Mounting screws / -Clips



### Available

Article No.	Description
70097 - 1021	Plastic clips for "n" versions
70097 - 1021	Screws for "n" versions

## Rubber gaskets

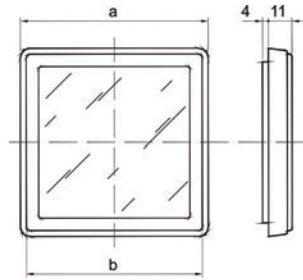


### Available sizes (Dimensions in mm)

For "n" devices (Foam rubber)		
Article No.	a	b
70097 - 4013	72x 72	68x 68
70097 - 4012	96 x 96	92 x 92

# ACCESSORIES FOR ANALOGUE INSTRUMENTS

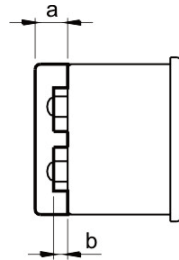
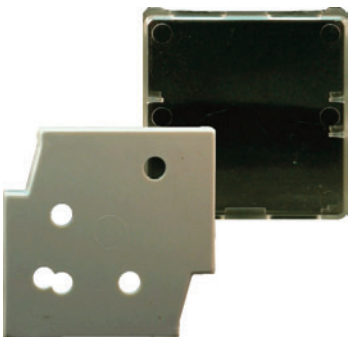
## IP65 Protection cover



### Available sizes (Dimensions in mm)

Plexiglas with rubber frame			
Article No.	For standard size	a	b
70097 - 2769	48 x 48	54 x 54	50 x 50
70097 - 2770	72 x 72	78 x 78	75 x 75
70097 - 2773	96 x 96	103 x 103	99 x 99
70097 - 2772	96 x 48	100 x 52	98 x 50

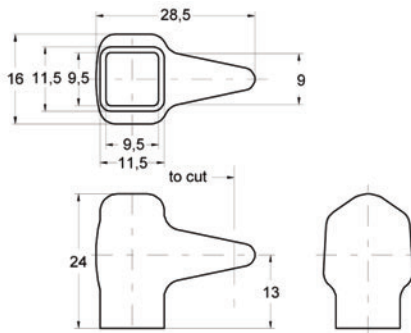
## Terminal covers



### Available sizes (Dimensions in mm)

Plastic (Clear / White)			
Article No.	For standard size	a	b
70097 - 2173	48 x 48	9	-
70097 - 2176	72 x 72	22	5
70097 - 2176	96 x 96	22	5
	144 x 144	9	-

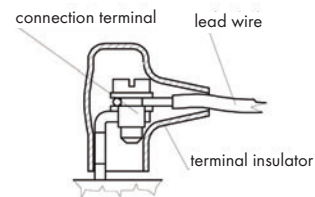
## Rubber grommets



### Available sizes (Dimensions in mm)

Article No.	70054-1447
Description	
Mounting	by placing on the terminals
Applicable	to all instruments type 48, 72 and 96
Case	non-flammable elastic plastic

Mounted terminal insulator



## Mounting frames

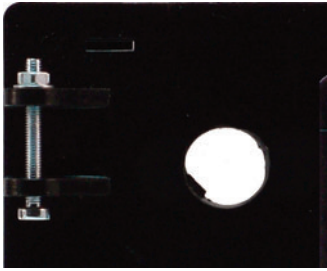


### Available sizes (Dimensions in mm)

Article No.	70030 - 1001	70030 - 1000
Dimensions	96 x 96	72 x 72
Cut - out	92 x 92 +/- 1	68 x 68 +/- 1
Frame outside	106 x 106 +/- 1	82 x 82 +/- 1
Length adjustable	84 - 145	84 - 145

# ACCESSORIES FOR CURRENT TRANSFORMERS

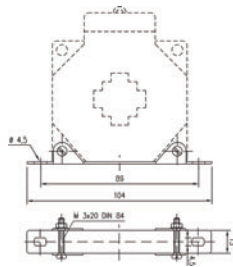
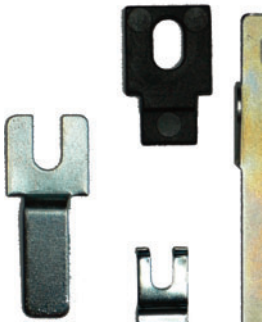
## Snap on mounting (DIN rail)



### Available for the following CT

Article No.	IB - Serie	Article No.	AST - Serie
70097 - 2768	IBA, IBP	70017 - 1548	AST...
70097 - 2767	IB, IB-50	70017 - 1548	WST40
70097 - 2767	IBG, IBG-50	70017 - 1550	SMU
70097 - 2767	IBO	70017 - 1549	SMU/I

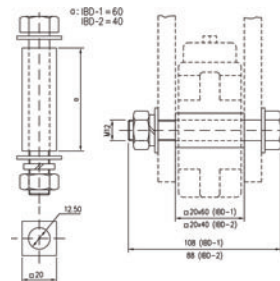
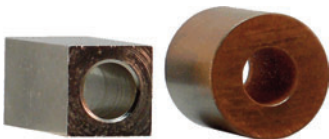
## Mounting feet



### Available for the following CT

Article No.	IB - Serie	Article No.	AST - Serie
70097 - 1964	IBA, IBP	70017 - 1481	AST...
70097 - 1963	IB, IB-50, IBG, IBG-50	70017 - 1481	WST40
70097 - 1965	IBR, IBR/1, IAP, IAM, IAG	70017 - 3458	SMK, SMK/I
70097 - 1963	IBO	70017 - 3458	SMG, SMG/I

## Copper - tubes



### Available sizes

IB - Serie	AST - Serie
IBD-1 -> Breite: 60 mm (da = 20x20 mm, di = 12,5 mm)	CU-Hülse -> Breite: 32 mm (da = 28 mm, di = 12,5 mm)
IBD-2 -> Breite: 40 mm (da = 20x20 mm, di = 12,5 mm)	CU-Hülse -> Breite: 32 mm (da = 42 mm, di = 12,5 mm)

# ACCESSORIES FOR SWITCHBOARDS

## DIN power sockets



### Technical Data / Dimensions in mm

For snapp on DIN rail		
Article No.	70019 - 1120	on request
Execution	standard	with green LED
Lenght/Width/Height	87 / 44 / 61	87 / 44 / 61
Rated current	16 A	16 A
Material	PA 6	PA 6
Colour	similar RAL 7035	similar RAL 7009
Weight	97 g	97 g

## Pin - type - insulators for indoor use



### Available sizes

Article No. 70019 -	Dimensions	Creepage resistance 1 min.	Voltage force	Max. torque	Break force
- 1103	M6 x 30	10 kV	3,0 kN	15 Nm	2,0 kN
- 1104	M8 x 30	10 kV	5,0 kN	20 Nm	2,0 kN
- 1107	M6 x 35	10 kV	5,0 kN	15 Nm	2,0 kN
- 1108	M8 x 35	10 kV	5,0 kN	20 Nm	2,0 kN
- 1111	M8 x 40	10 kV	7,5 kN	20 Nm	3,0 kN
- 1112	M10 x 40	10 kV	7,5 kN	25 Nm	3,0 kN
- 1117	M10 x 50	10 kV	10,0 kN	25 Nm	3,5 kN
- 1118	M12 x 50	10 kV	10,0 kN	30 Nm	3,5 kN

## Connection diagrams pockets



### Available sizes (Dimensions in mm)

Type	DIN A4-02	DIN A4-05	DIN A4-06	DIN C-07
Width	264	180	140	210
Height	236	240	170	130
Deep	30	33	10	7
Material	Polystyrol	Polystyrol	Polystyrol	Polystyrol
Colour	RAL 7035	glasklar	glasklar	glasklar
Weight	97 g	90 g	154 g	97 g



**Celsa Messgeräte GmbH**  
**Barthelsmühlring 16**  
**D - 76870 Kandel**  
**Deutschland**  
**Tel: + 49 (0) 7275 / 9883-0**  
**Fax: + 49 (0) 7275 / 9883-33**  
**[www.celsagermany.com](http://www.celsagermany.com)**  
**[info@celsagermany.com](mailto:info@celsagermany.com)**

